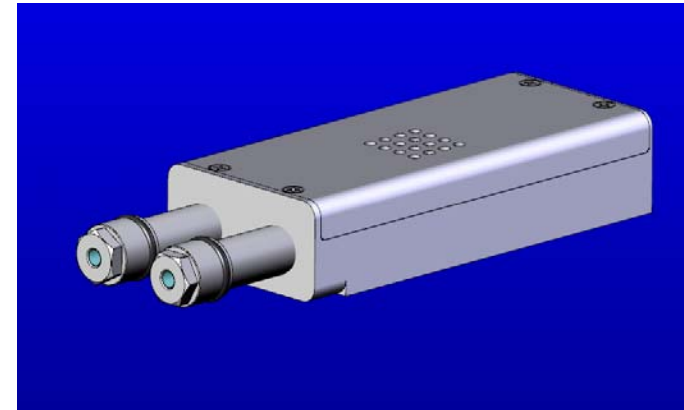


OPTISCHES KONTAKTSYSTEM K50 . . . ■■■

Optische Kenndaten:

Optischer Empfänger		Optischer Sender	
Empfindlichkeit:	ca.-24 dBm	Sendeleistung:	+0 dBm
Empfangswinkel:	$\pm 18^\circ$	Laserklasse:	1M
Dynamikbereich:	24 dB	Abstrahlwinkel:	$\pm 7^\circ$
Wellenlänge:	850 nm	Wellenlänge:	850 nm

Schnittstellen:	100 BaseTX: RJ 45
	100 Base FX: SC multimode 1310 nm



Allgemeine Kenndaten:

Spannungsversorgung:	24 V DC	Lebenszyklus:	500 000 h
Spannungsfestigkeit:	3,5 kV	Datenrate:	brutto 150 MBit/s
Leistungsaufnahme:	< 5 W	Bitfehlerrate:	< 10^{-12}
Radiale Kontakttoleranz	$\pm 10^\circ$	Betriebstemperatur:	-25 ... 85 °C
Gewicht:	ca. 236 g	Höchsttemperatur:	80 °C

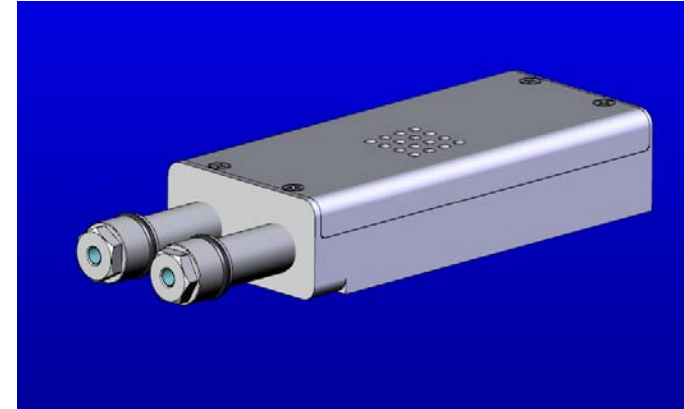


OPTICAL CONTACT SYSTEM K50 . . . ■■■

Optical data:

Optical receiver		Optical emitter	
Sensitivity:	ca. -24 dBm	Transmitting power:	+0 dBm
Angles of reception:	$\pm 18^\circ$	Laser class:	1M
Dynamic range:	24 dB	Sampling angle:	$\pm 7^\circ$
Wave length:	850 nm	Wave length :	850 nm

Interfaces:	100 BaseTX: RJ 45
	100 Base FX: SC multimode 1310 nm



General data:

Power supply:	24 V DC	Life time cycles:	500 000 h
Electric strength:	3,5 kV	Data rate:	brutto 150 MBit/s
Power consumption:	< 5 W	Bit failure rate:	< 10 ⁻¹²
Radial contact tolerance:	$\pm 10^\circ$	Operating temperature:	-25 ... 85 °C
Weight:	approx 236 g	Max. temperature:	80 °C



The specified values correspond to our actual knowledge. The tests which underlie this data sheet correspond to the present standards and actual knowledge. The values are issued without any responsibility for any unjustified application of the product. This document does not release the customer from carrying out a vendor inspection control. Users of era-contact products should make their own evaluation to determine the suitability of each such product for the specific application. Any product liability concerning the system properties expires, if the era-contact system is combined with unsuitable foreign manufactured products.

era-contact GmbH, Gewerbestrasse 44, D-75015 Bretten, Tel.: +49-(0)7252-971-0, Fax.: +49-(0)7252-971-200, www.era-contact.de, e-mail: contact@era-contact.de

© era-contact GmbH Bretten 05/2009 V10 all rights and technical details subject to change