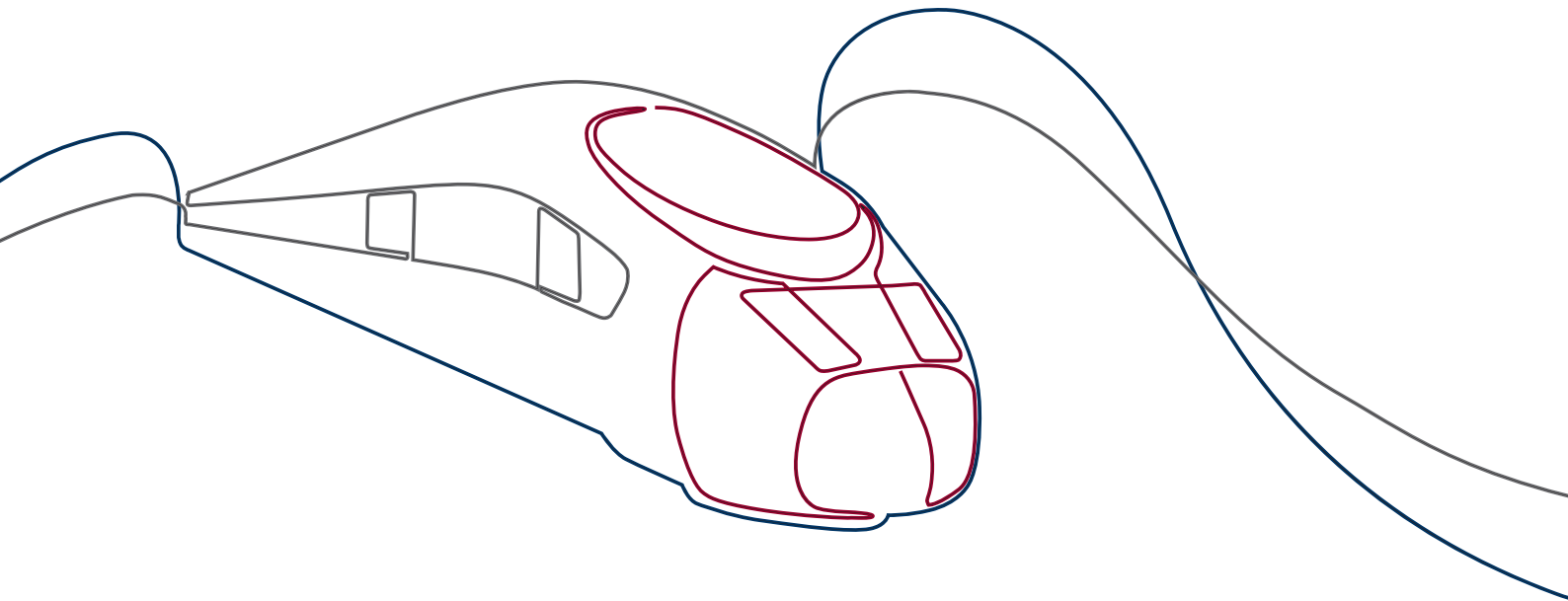


PRODUCTS ACCORDING TO UIC 552



PRODUCTS ACCORDING TO UIC 552



PRODUCT INFO

UIC 552 connectors are needed for all vehicles used in international transport, including traction units equipped with a train bus bar.

In order to achieve this technically, appropriate connectors are needed between the traction unit and all the other rail vehicles. The connector complies with UIC 552 requirements.

FIELDS OF APPLICATION

- In short and long distance trains. For electrical connections according to UIC 552
- Refitting of train bus bar
- Refurbishments of rail vehicles
- Used whenever spare parts are needed
- Compatible with all systems on the market according to UIC 552

FUNCTION

- Power transmission of 800 A at -10°C with a nominal voltage of 3kV AC/DC
- Protection against dust and damp according to safety class IP54
- Protection against unintentional uncoupling
- Very robust under mechanical load

Commitment to quality: We supply this product in accordance with our tested and certified quality standard



DIN EN ISO 9001:2015
Certified
Quality Management System



DIN EN 15085-2 CL1
International welding
certification for railway
vehicles



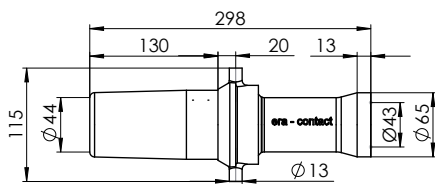
IRIS Certification® based on ISO/TS 22163:2017
Quality management standard
for the railway industry

TECHNICAL SPECIFICATIONS UIC 552

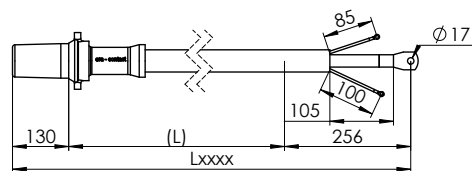
SPECIFICATION	DESCRIPTION	VALUES & DATA
Standards	UIC 552 Protection type (EN 60529)	IP54: when coupled or socket closed
Type of connection	Number of poles Connection cross-section Connection to socket contact Connection to plug contact	1 185 mm ² M16 bolt Crimp
Electrical characteristics	Rated voltage Test voltage Rated current	3 kV AC / DC 12.5 kV 800 A at -10° C
Mechanical characteristics	Contact engaging Separating force	200 N 100 N
Conditions for use	Temperature range	-30° C ... +90° C
Materials	Housing of connector Housing of receptacle Upper connector section Contact insert Seals Contacts	Aluminium casting Aluminium casting BMC BMC Chloroprene, EPDM Copper alloy
Weights	Plug (without cable) Receptacle Cable junction box Junction box Dummy receptacle	1.85 kg 14.5 kg 8 kg 10.5 kg 1.4 kg

PLUGS & CONNECTION CABLES

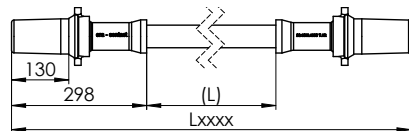
Plugs: UIC 552 - S



Connection cable: UIC 552 - AS - Lxxxx



Connection cable: UIC 552 - VS - Lxxxx



Product info

Our plugs are equipped with high-grade components for power transmission up to 800A. This product for the train bus bar complies permanently with high functional and safety requirements.



Order code / article no.:

Series	UIC 552	
Type	S	plug (without cable)
	AS	connection cable with 1 plug
	VS	connection cable with 2 plugs
Cable length	Lxxxx	cable length in mm, e.g. L3000 Other lengths on request
Optional	PA6	upper plug section in polyamide (black), differing from UIC 552
Colour option	21	deep black, RAL 9005
	42	primed in concrete grey, RAL 7023 Other colours on request

Product name	Article no.
UIC 552 - S - 21	010168 - 21
UIC 552 - S - 42	010168 - 42
UIC 552 - AS - L1964 - 21	012208 - 21
UIC 552 - AS - L1964 - 42	012208 - 42
UIC 552 - VS - L1721 - 21	012435 - 21
UIC 552 - VS - L1721 - 42	012435 - 42
UIC 552 - VS - L1790 - 21	072511 - 21
UIC 552 - VS - L1790 - 42	072511 - 42
UIC 552 - VS - L2111 - 21	014554 - 21
UIC 552 - VS - L2111 - 42	014554 - 42
UIC 552 - VS - L3000 - 21	020531 - 21
UIC 552 - VS - L3000 - 42	020531 - 42

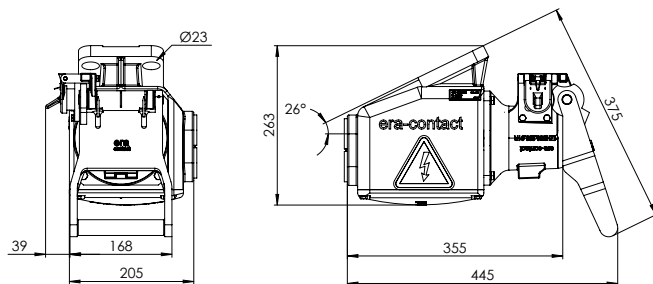
Example: 12208-21 is a black connection cable with a length of 1964 mm.

INSTALLATION: The connection cable is connected in the cable junction box with cable lug and two grounding clips. A cable with a connection cross-section of 185mm² must be connected to the plug.

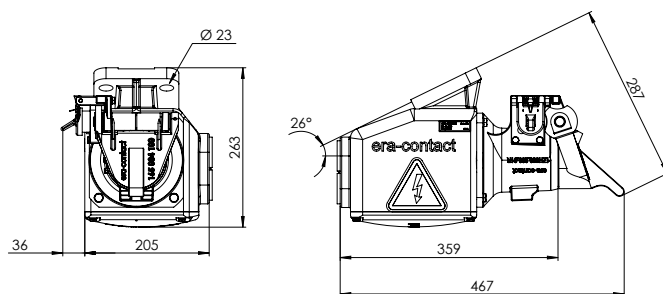
Technical data subject to change.

RECEPTACLE (KDO)

Receptacle, long handle: KDO-DL

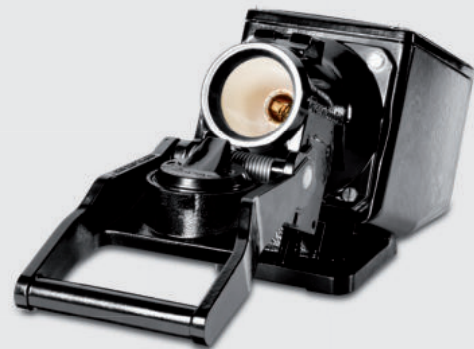


Receptacle, short handle: KDO-DK



Product info

The locking of our box housing with its solid metal handle ensures a safe engagement of the plug for permanent operation under harsh conditions.



Order code / article no.:

Series	UIC 552	
Type	KDO-DL	receptacle, long handle
	KDO-DK	receptacle, short handle
Locking	V0	without locking
	V1	with locking
Pilot contact	P0	without pilot contact
	P1	with pilot contact
Thread	Pg	standard size Pg36 / Pg13.5 Other threads on request
Colour option	21	deep black, RAL 9005
	42	primed in concrete grey, RAL 7023
		Other colours on request

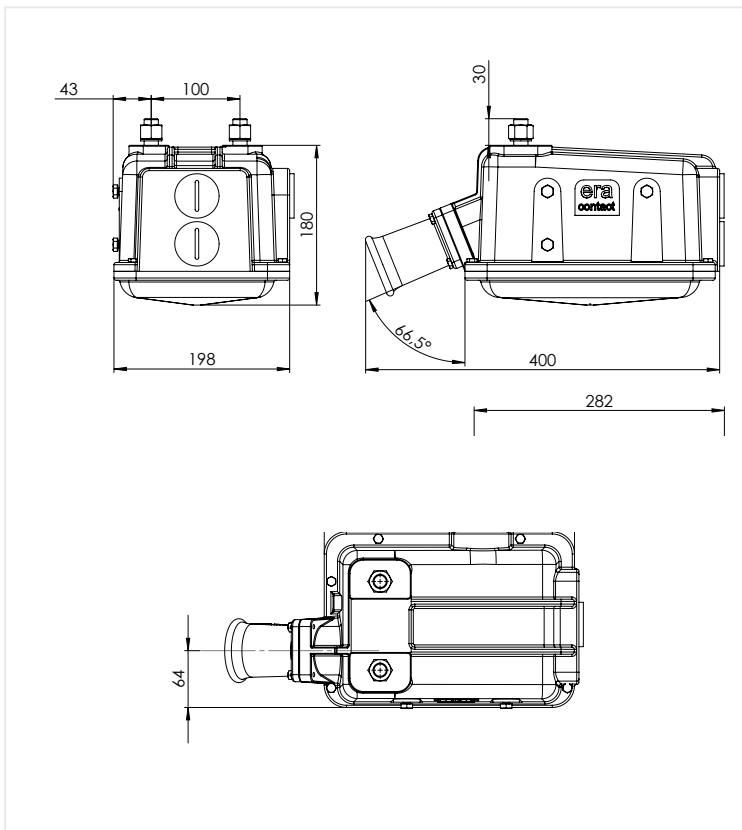
Product name	Article no.
UIC 552 - KDO - DL - V0 - P0 - Pg - 21	012272 - 21
UIC 552 - KDO - DL - V0 - P0 - Pg - 42	012272 - 42
UIC 552 - KDO - DL - V1 - P0 - Pg - 21	010492 - 21
UIC 552 - KDO - DL - V1 - P0 - Pg - 42	010492 - 42
UIC 552 - KDO - DK - V1 - P0 - Pg - 21	019833 - 21
UIC 552 - KDO - DK - V1 - P0 - Pg - 42	019833 - 42

Example: 019833-42 is a concrete grey receptacle, short handle, with locking, without pilot contact.

INSTALLATION:

The receptacle is mounted from below. The cable must be connected to the internal end of the socket contact which is fitted with M16 bolts.

CABLE JUNCTION BOX (KAB)



Product info

Our robust cable junction box is a safe interface for an easy and permanent connection of cables of the receptacles.



Order code / article no.:

Series	UIC 552	
Type	KAB	cable junction box
Thread	Pg	Pg36 / Pg13.5 Other threads on request
Colour option	21 42	deep black, RAL 9005 primed in concrete grey, RAL 7023 Other colours on request

Product name

UIC 552 - KAB - Pg - 21
UIC 552 - KAB - Pg - 42

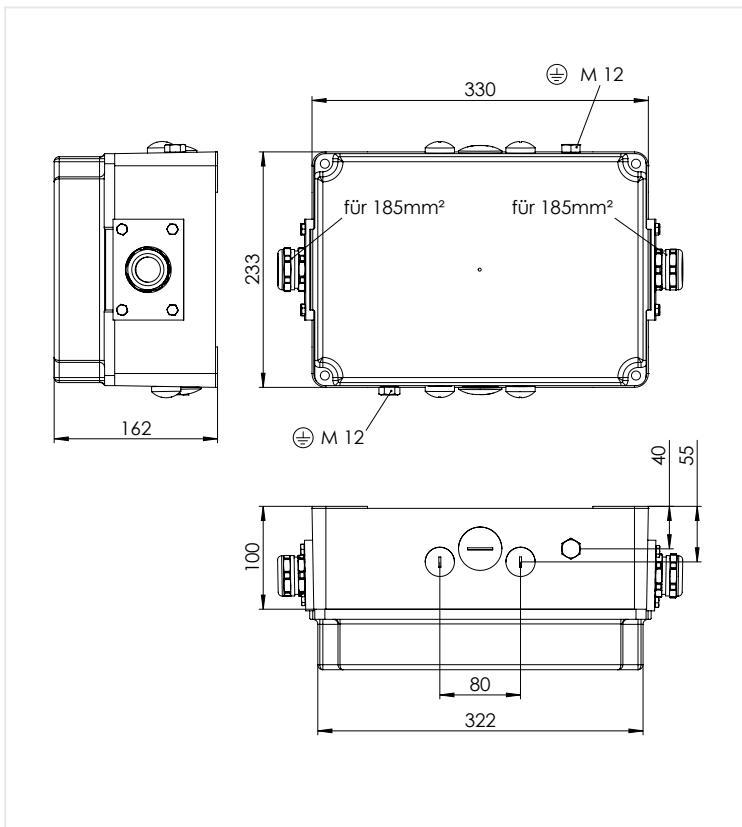
Article no.

012662 - 21
012662 - 42

Example: 012662-42 is a junction box, concrete grey.

INSTALLATION: The cable junction box is mounted underneath the chassis. A terminal strip for the cable connection is integrated inside, accessible via the lid which is screwed-on from the outside.

JUNCTION BOX (AZK)



Product info

Our junction box is a safe interface for the connection of cables between cable junction boxes and other cables for power transmission.



Order code / article no.:

Series	UIC 552	
Type	AZK	junction box
Colour option	21	deep black, RAL 9005
	42	primed in concrete grey, RAL 7023
		Other colours on request

Product name

UIC 552 - AZK - 21
UIC 552 - AZK - 42

Article no.

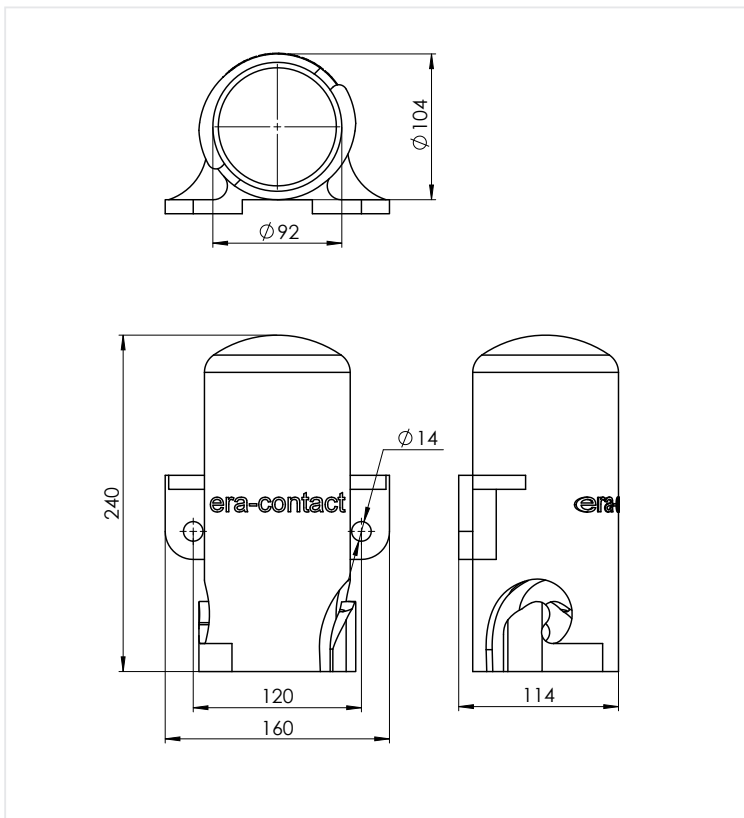
072542 - 21
072542 - 42

Example: AZK-42 is a concrete grey junction box.

INSTALLATION:

A terminal strip for the cable connection is integrated in the junction box, accessible via the lid which is screwed-on from the outside.

DUMMY RECEPTACLES (BDO)



Product info

For a permanent functionality, our proven dummy receptacle is used as mounting socket for the coupling plug to protect it in uncoupled condition from unintentional environmental influences.



Order code / article no.:

Series	UIC 552	
Type	BDO dummy receptacle	
Colour option	21	deep black, RAL 9005
	42	primed in concrete grey, RAL 7023
		Other colours on request

Product name

UIC 552 - BDO - 21
UIC 552 - BDO - 42

Article no.

005209 - 21
005209 - 42

Example:

005209-42 is a concrete grey dummy receptacle

INSTALLATION: After installation, the plug is locked in the dummy receptacle by means of a bayonet connection.



OUR BENEFITS FOR YOU:

- Punctuality
- Consistently high quality all over the world
- Comprehensive service wherever you are in the world
- Years of expertise for your product
- International presence
- On-site engineering service – from prototyping to after-sales
- Original manufacturer
- A team just for you



www.aichele-group.com
www.bremi.de
www.era-contact.com
www.streicherplast.de

aichele GROUP
 GmbH + Co. KG
 Gewerbestraße 44
 75015 Bretten
 Deutschland / Germany
 Phone +49 (0)70 32 - 9 55 30 0
 info@aichele-group.com

BREMI Fahrzeug-Elektrik
 GmbH + Co. KG
 Grüner Weg 1
 19303 Dömitz
 Deutschland / Germany
 Phone +49 (0)38 758 - 304 0
 info@bremi.de

BREMI Fahrzeug-Elektrik
 GmbH + Co. KG
 Vertriebs- und Logistikzentrum
 Einsteinstraße 1
 71083 Herrenberg
 Deutschland / Germany
 Phone +49 (0)70 32 - 955 30 0
 info@bremi.de

streicherplast GmbH + Co. KG
 Friedhofstraße 4
 78588 Denkingen
 Deutschland / Germany
 Phone +49 (0)74 24 98 17-0
 info@streicherplast.de

era-contact GmbH Germany
 Gewerbestraße 44
 75015 Bretten-Gölshausen
 Deutschland / Germany
 Phone +49 (0)72 52 - 971 0
 info.germany@era-contact.de

era-contact Tunisia S.A.R.L.
 Hriza
 7026 El Azib, Bizerte
 Tunesien / Tunisia
 Phone +216 (0)72 - 45 10 10
 info.tunisia@era-contact.de

era-contact (Suzhou) Co., Ltd.
 Building P,
 No. 9 Chang Yang Street,
 Suzhou Industrial Park
 Jiangsu, 215024, P.R. China
 Phone +86 (0)5 12 - 6299 1800
 info.china@era-ct.com

era-contact Turkey
 Demiryolu Sistemleri San.
 ve Tic. Ltd. Sti.
 Cerkesli OSB Mahallesi,
 Imes-9 Caddesi, No:31,
 41455 Dilovasi, Kocaeli
 Türkei / Turkey
 Phone +90 (0) 532 504 38 09
 info.turkey@era-contact.com.tr

era-contact USA, LLC
 1475 Smith Grove Road
 Liberty, SC 29657
 Phone +1 (864) 777-6060
 info.usa@era-contact.com