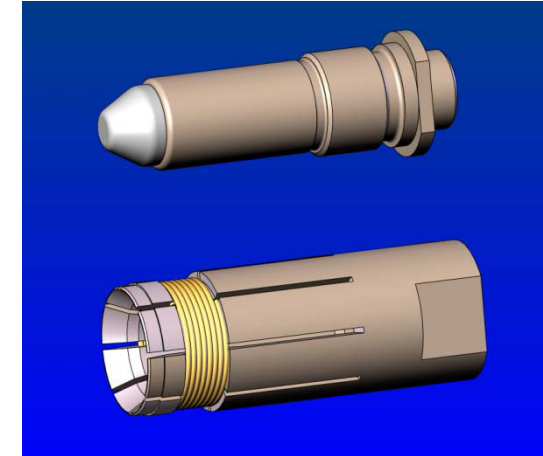
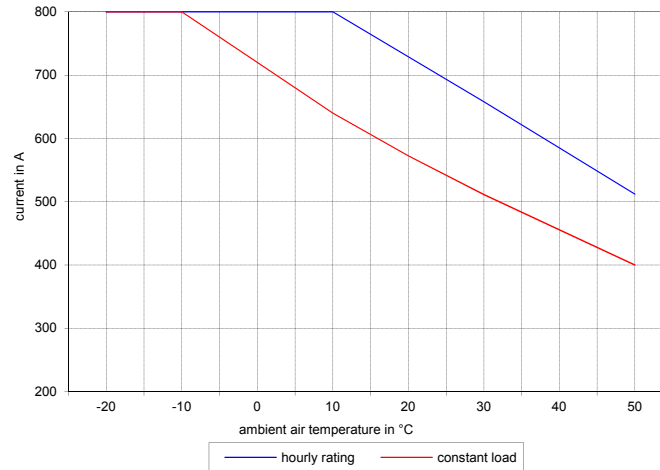
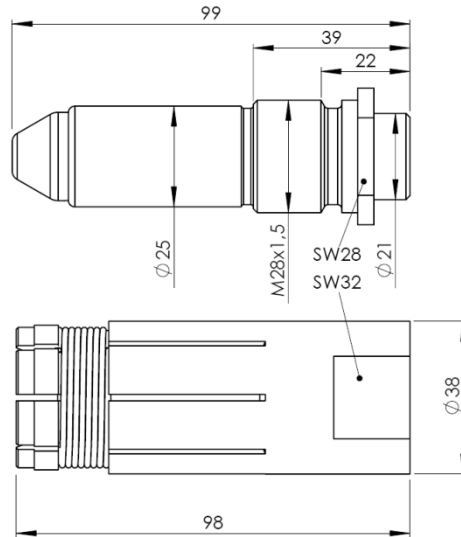


MALE-/FEMALE CONTACT SYSTEM K44 . . . ■■■

PART - N°.: 005470 / 010163



Mechanical data:

Max. tightening moment:	150 Nm
Material:	Copper plated
Temperature range:	-30 °C ... 85 °C
Temperature plug:	max. 60 °C
Temperature wire:	max. 100 °C
Weight:	ca. 940 g

Electrical data:

Permanent load (at -10 °C):	800 A *
Pulse load:	100 kA
Nominal voltage:	3 kV AC/DC
Contact resistance:	< 4 mΩ
Contact durability:	5 000



*) The capacitance is added to the ambient air temperature onto IUC 552. General information apply to direct current and to currents with frequencies of 16 2/3 Hz and 50 Hz. Attention: The current transmission have to effect by the associated facility push-on contact. To consider: The values only obtain in combination with era-contact contact studs and zero potential connecting. The permanent load decreases if only the thread is being used to transmit power. The specified values correspond to our actual knowledge. The tests which underlie this data sheet correspond to the present standards and actual knowledge. The values are issued without any responsibility for any unjustified application of the product. This document does not release the customer from carrying out a vendor inspection control. Users of era-contact products should make their own evaluation to determine the suitability of each such product for the specific application. We advice that the era-contact contact system shall under no circumstances be combined with inappropriate third party products. The combination of the era-contact contact system with an inappropriate third party product may lead to serious or even deadly injuries. The combination of the era-contact contact system with any third party product has to be checked thoroughly and should not be performed without prior approval of era-contact. Any harm that is caused by the combination of the era-contact contact system with an inappropriate third party product is excluded from product liability.